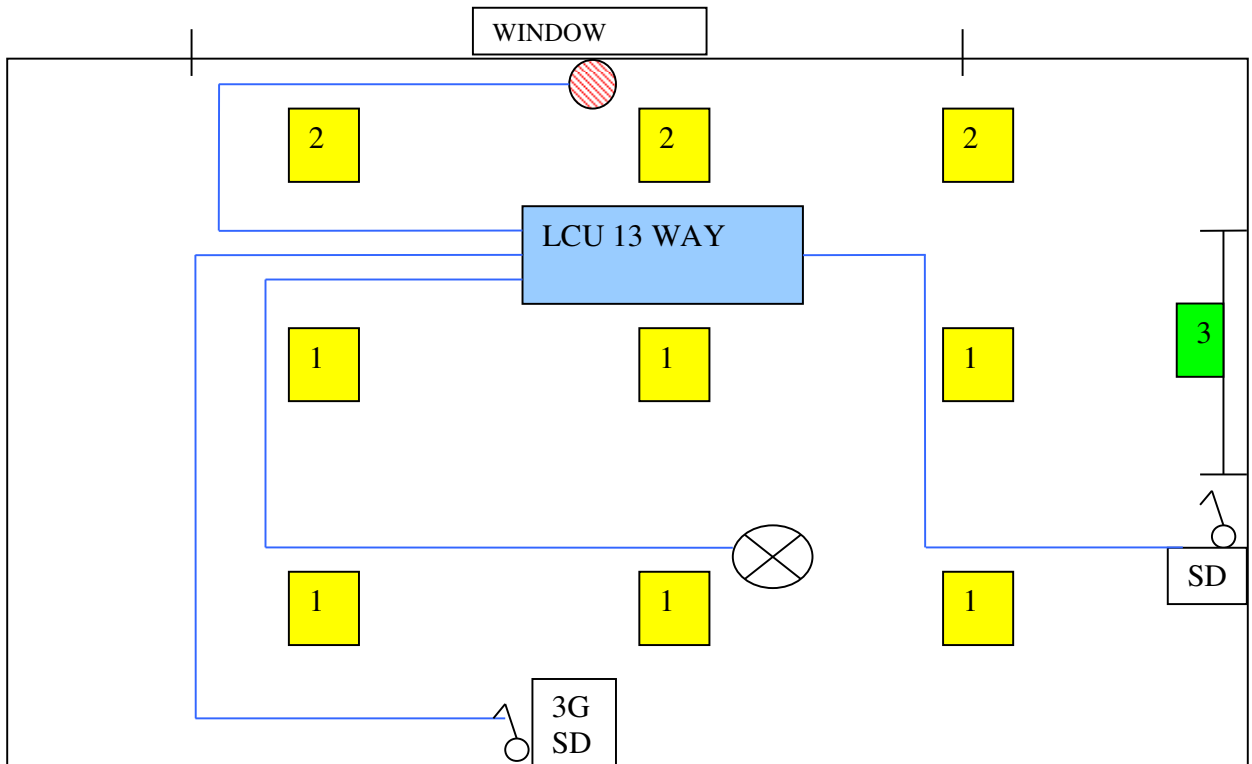
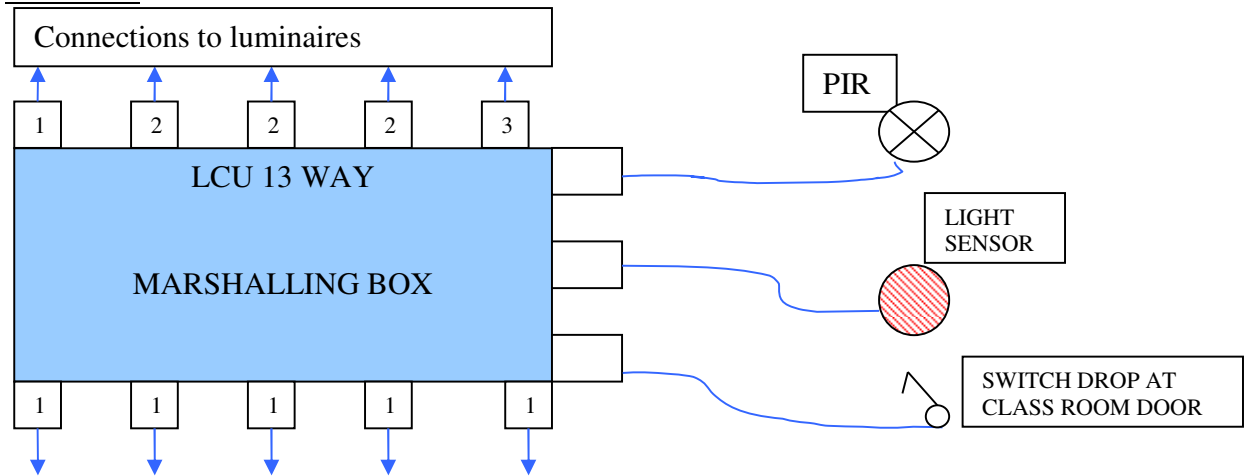


**TYPICAL ARRANGEMENT FOR COST EFFECTIVE MANAGED LIGHTING IN SCHOOL CLASSROOM WHICH ALLOWS MORE FLEXIBILITY THAN PRINTED CIRCUIT BOARD PRODUCTS**



- Different configurations can easily be accommodated to suit client needs e.g. dimming options
- 2 way switching can be wired within box with two switch drop ports thus avoiding contractor using Strapping wiring at ground level

**LEGEND:**

- LOCAL SWITCH
- INSIDE ROW OF LUMINAIRES
- WINDOW ROW OF LUMINAIRES
- WHITE BOARD LUMINAIRE
- PIR
- LIGHT SENSOR
- CABLE